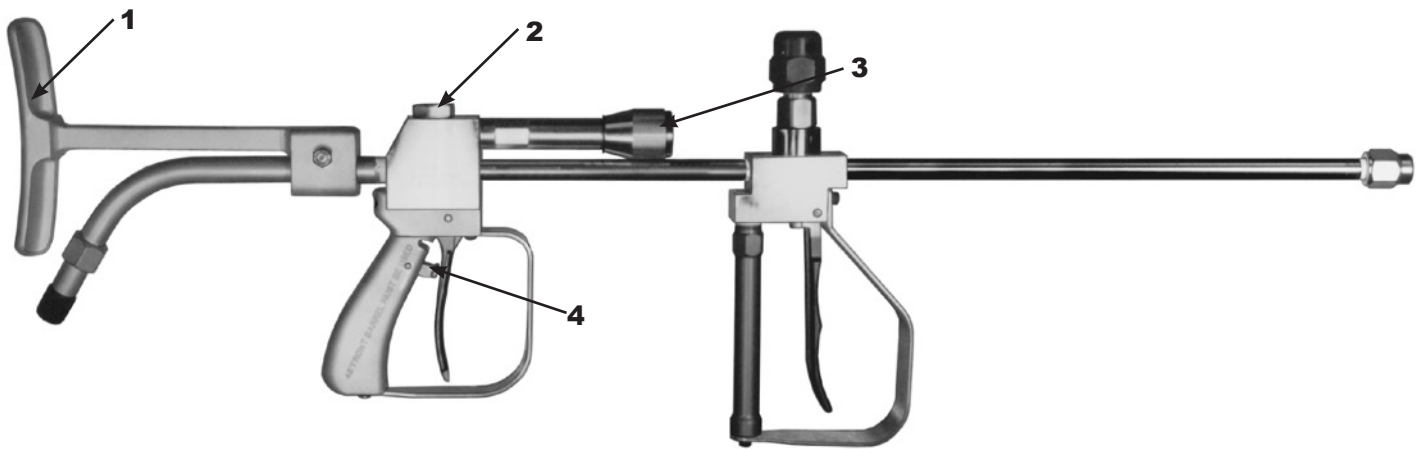


# DDLT SERIES

## Hand-Held Double Dump Control Gun

Pressures from 10,000 - 15,000 PSI

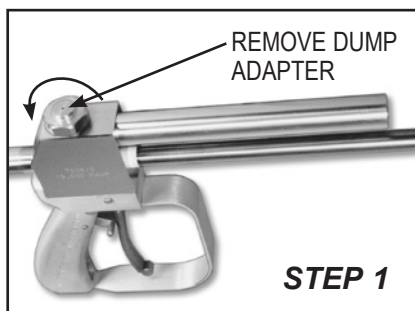


Increasingly applications and contract conditions demand the use of a control gun with two dump ports. Gardner Denver Water Jetting Systems has added the Double Dump Control Gun, Model DDLT-15K to its range of products, featuring the best features demanded by major contractors: stainless steel and aluminum construction, safety latch on rear dump valve trigger, lighter weight and excellent balance. Available with a 3/8" or 1/2" barrel.

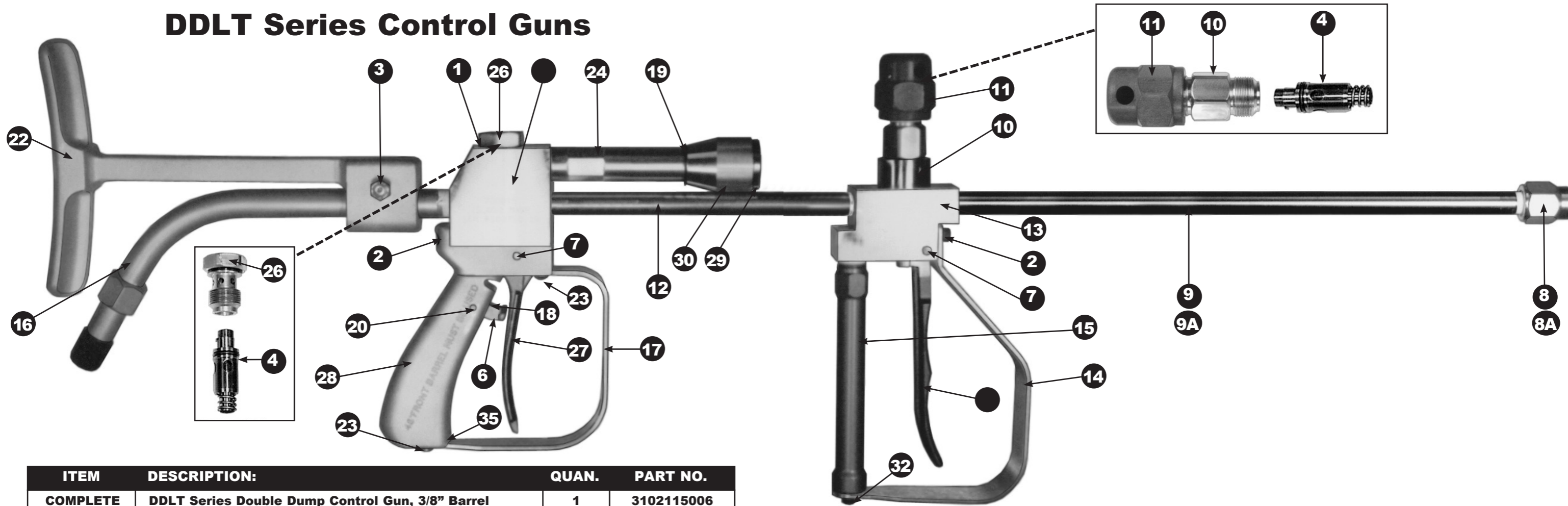
Features 60 second cartridge overhaul of both dump valves.

**Standard overall length with 36" barrel is 72.5 inches (1841 mm)**

**Weighs only 15.54 Lbs. (7.04 Kg) 10-15 KPSI (800-1050 Bar)**



### DDLT Series Control Guns



ITEM	DESCRIPTION:	QUAN.	PART NO.
<b>COMPLETE</b>	<b>DDLT Series Double Dump Control Gun, 3/8" Barrel</b>	<b>1</b>	<b>3102115006</b>
<b>COMPLETE</b>	<b>DDLT Series Double Dump Control Gun, 1/2" Barrel</b>	<b>1</b>	<b>3102115007</b>
1	O-RING, DUMP ADAPTER/SAFECHECK 15/20K	2	2220016
2	SCREW, 1/4"-20 x 1/2" SHCS C/S	2	77513017
3	CAM STUD ASSEMBLY, 1/2" PIPE	2	77513031
4	VALVE CARTRIDGE ASSEMBLY, 10/15K	2	3102111
5	TRIGGER, HG-SS	1	77700069
6	SAFETY LATCH, HG/HGLT	1	77700025
7	TRIGGER PIVOT PIN	2	77700045
8	NOZZLE HOLDER, 3/8" NPTF x 1/4"	1	77700087
8A	NOZZLE HOLDER, 1/2" NPTF x 1/4"	1	77513028
9	NIPPLE, 3/8" NPT x 36" SS 10/15K (3102115006 ASSY.)	1	77700105
9A	NIPPLE, 1/2" NPT x 36" SS 10/15K (3102115007 ASSY.)	1	77700072
10	DUMP TUBE ADAPTER, 10/15K	1	77700021
11	DUMP TUBE FOR DDLT GUN	1	77700114
12	NIPPLE, 1/2" NPT x 10" SS 10/15K	1	77513232-10
13	BLOCK, 10/15K DOUBLE DUMP VALVE	1	3102314
14	DOUBLE DUMP TRIGGER GUARD	1	77700117
15	DOUBLE DUMP TRIGGER GUARD ADAPTER	1	77700118
16	NIPPLE, 60° BENT INLET, 10/15K	1	77700128

ITEM	DESCRIPTION:	QUAN.	PART NO.
17	TRIGGER GUARD, DUMP/DRY SHUT GUN, 10/15K	1	77700513
18	SAFETY LATCH SPRING	1	77700517
19	BAFFLE RETAINING RING SS	2	77700518
20	SAFETY LATCH PIVOT PIN	1	77700523
21	VALVE SEAT O-RING, 017	1	77700539
22	T-STYLE SHOULDER STOCK FOR 10/15K GUN	1	77700602-1
23	SCREW, BUTTON HEAD C/S 1/4"-20 x 1-1/4"	3	77700610
24	DUMP TUBE	1	77700613
25	GUN BLOCK, 10/15K	1	3102114
26	ADAPTER, 10/15K DUMP CARTRIDGE	1	77700616
27	TRIGGER, 15/20K DUMP GUN	1	77700617
28	HANDLE, 15/20K DUMP GUN	1	77700625
29	DUMP TUBE BAFFLE PLUG FOR DUMP STYLE GUN	1	77700630
30	DUMP TUBE BAFFLE FOR DUMP STYLE GUN	1	77700631
31	BUSHING, BARREL 1/2" NPTM x 3/8" NPTF (3102115006 ASSY.) (NOT SHOWN)	1	77700636
32	LOCK WASHER, 1/4" SS	1	77408150-3



## Safety Shrouds and Whip Hoses

Pressures from 10,000 - 15,000 PSI



**Shroud Adapter**

**Safety Whip Hose**

ITEM	DESCRIPTION:	QUAN.	PART NO.
<b>ASSY.</b>	<b>10K SAFETY SHROUD WITH WHIP HOSE ASSEMBLY</b>	<b>1</b>	<b>77516018</b>
1	SAFETY SHROUD ASSEMBLY, 10/15K	1	77516015
2	WHIP HOSE, 1/2" NPT x 6 FEET, 10K RUBBER	1	77516017
3	SAFETY SHROUD ADAPTER, 10/15K	1	77516016
<b>ASSY.</b>	<b>15K SAFETY SHROUD WITH WHIP HOSE ASSEMBLY</b>	<b>1</b>	<b>77516032</b>
1	SAFETY SHROUD ASSEMBLY, 10/15K	1	77516015
2	WHIP HOSE, 1/2" NPT x 6 FEET, 15K RUBBER	1	77516025
3	SAFETY SHROUD ADAPTER, 10/15K	1	77516016
<b>ASSY.</b>	<b>15K SAFETY SHROUD WITH WHIP HOSE ASSEMBLY</b>	<b>1</b>	<b>77516039</b>
1	SAFETY SHROUD ASSEMBLY, 10/15K	1	77516015
2	WHIP HOSE, 3/8" NPT x 6 FEET 16K RUBBER	1	77515021-6
3	SAFETY SHROUD ADAPTER, 3/8" NPT, 10/15K	1	77516067

### Applications/Features:

Operator safety is the first consideration when waterblasting, the Gardner Denver 10/15K Safety Shroud is designed specifically for use with hand held control guns. These safety shrouds protect the operator from dangerous hose failures occurring near the gun. One should NEVER connect an unshrouded hose directly to a waterblasting gun. ALWAYS connect a whip hose and safety shroud to the gun first, then connect the appropriate hose to the other end of the shroud/whip hose with a quick coupling. The Gardner Denver 10/15K Safety Shroud features a nitrile outer cover which is water, oil and soil resistant. The inner material consists of high strength braided stainless steel.

**Safety Shroud**

**15K Quick Disconnect Coupling Assembly**

©2006 Gardner Denver Water Jetting Systems, Inc.