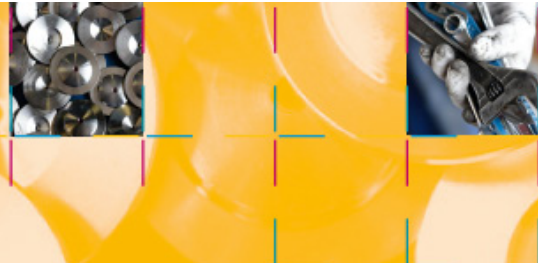




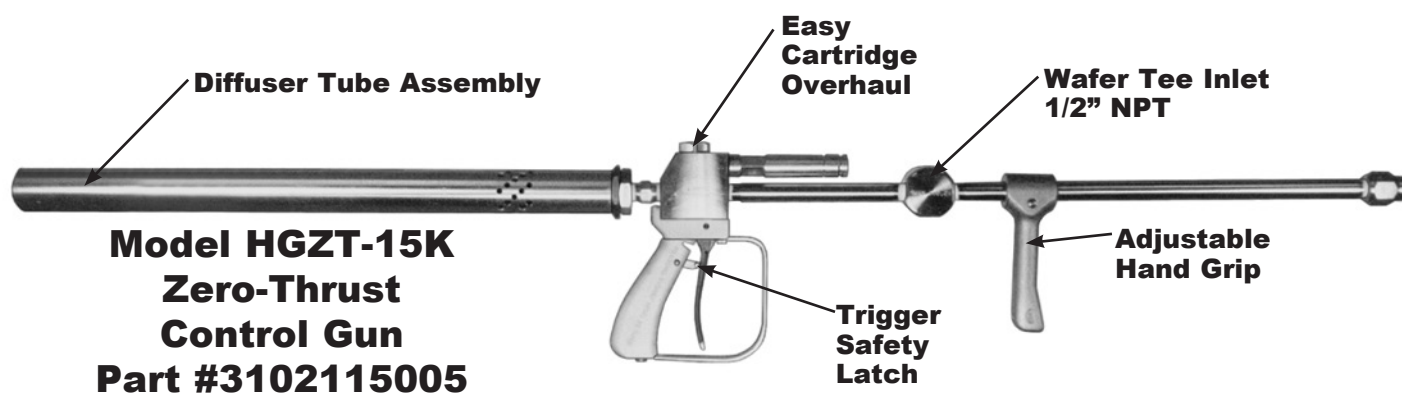
DERC SALOTECH



HG SERIES

Hand-Held Zero Thrust Control Gun

Pressures from 10,000 - 15,000 PSI



Designed for underwater or topside use where balance is critical. The equal forward and backward thrust allows the operator to be in balance.

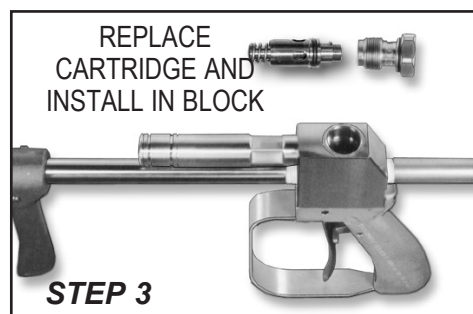
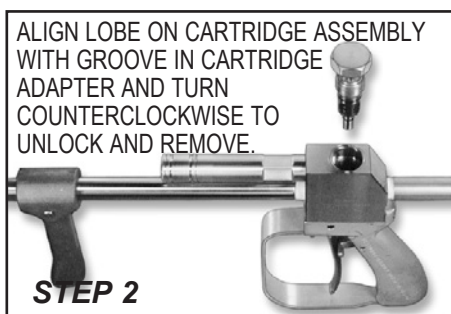
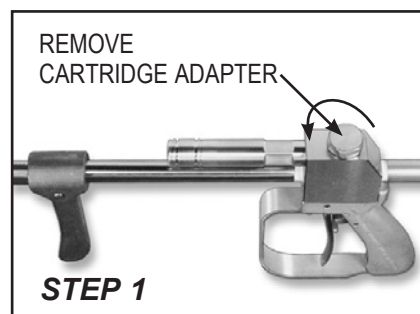
Constructed of stainless steel for corrosion resistance.

Vertical inlet connection for underwater use. Adjustable hand grip.

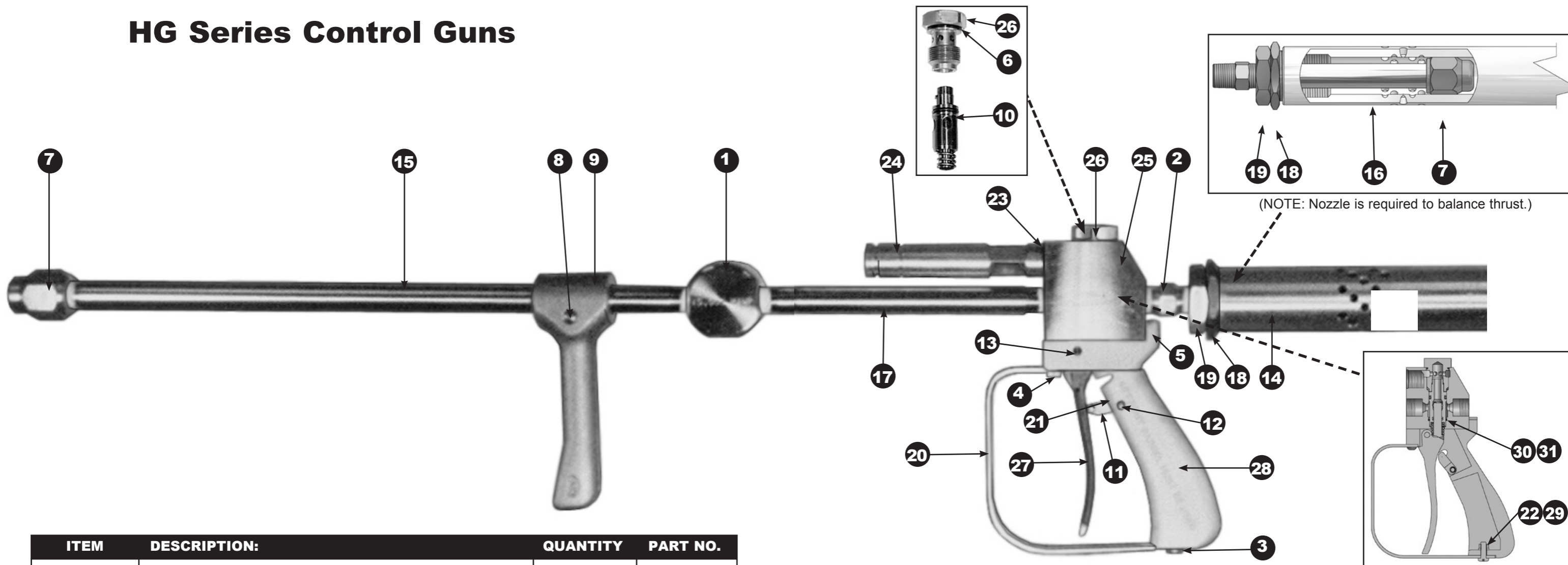
Features 60 second cartridge overhaul.

Weights only 16 Lbs. (7.26 Kg) 10-15 KPSI (800-1050 Bar)

60 Second Cartridge Overhaul



HG Series Control Guns



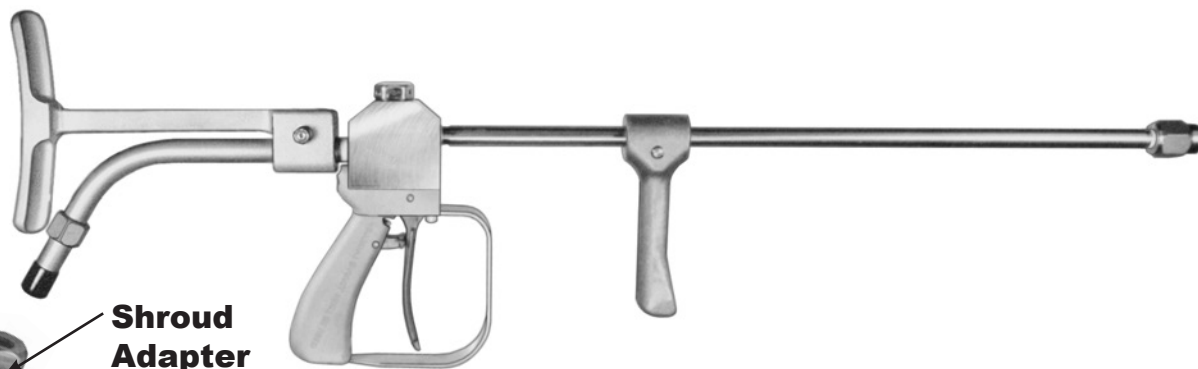
ITEM	DESCRIPTION:	QUANTITY	PART NO.
COMPLETE	HG Series Hand Held Zero Thrust Control Gun	1	3102115005
1	WAFER TEE 1/2" NPTF, INLET	1	77131003
2	HEX NIPPLE, 1/2" MNPT	1	77208005
3	CAP SCREW, 1/4"-20 x 3/4" LONG	1	77408020
4	SCREW, 1/4"-20 x 1" SHCS SS	2	77700610
5	SCREW, 1/4"-20 x 1/2" SHCS	2	77513017
6	SAFECHECK VALVE O-RING, 15/20K	1	2220016
7	NOZZLE HOLDER, 1/2" FNPT x 1/4"	2	77513028
8	CAM STUD ASSEMBLY, 1/2" PIPE	1	77513031
9	HAND GRIP FRAME, 1/2" PIPE	1	77513033
10	VALVE CARTRIDGE ASSEMBLY, 10/15K	1	77700015A
11	SAFETY LATCH, HG/HGLT	1	77700025
12	SAFETY LATCH PIN	1	77700027
13	TRIGGER PIVOT PIN	1	77700045
14	ZERO THRUST DIFFUSER	1	77700058
15	NIPPLE, 1/2" NPT X 36" SS, 15K	1	77700072
16	NIPPLE, 1/2" NPT X 6" SS, 15K	1	77700092

ITEM	DESCRIPTION:	QUANTITY	PART NO.
17	NIPPLE, 1/2" NPT X 12" SS, 15K	1	77700093
18	JAM NUT, 1 3/4"-12	1	77700157
19	ZERO THRUST DIFFUSER ADAPTER	1	77700158
20	TRIGGER GUARD, 15/20K	1	77700513
21	SAFETY LATCH SPRING	1	77700517
22	NUT, 1/4" SQUARE	1	77700528
23	O-RING VALVE SEAT - 017	1	77700539
24	ULTRA SAFE DUMP TUBE	1	77700613
25	ULTRA SAFE 15K DUMP GUN BLOCK	1	77700615
26	DUMP ADAPTOR FOR 15K DUMP GUN	1	77700616
27	TRIGGER FOR 15K DUMP GUN	1	77700617
28	HANDLE, 20K DUMP GUN	1	77700625
29	LOCK WASHER, 1/4" SS	1	77408150-3
30	VALVE SEAT O-RING, 7/8"	1	2217046
31	VALVE SEAT BACK-UP RING, 7/8"	1	2217047



Safety Shrouds and Whip Hoses

Pressures from 10,000 - 15,000 PSI



Shroud Adapter

Safety Whip Hose

ITEM	DESCRIPTION:	QUAN.	PART NO.
ASSY.	10K SAFETY SHROUD WITH WHIP HOSE ASSEMBLY	1	77516018
1	SAFETY SHROUD ASSEMBLY, 10/15K	1	77516015
2	WHIP HOSE, 1/2" NPT x 6 FEET, 10K RUBBER	1	516017
3	SAFETY SHROUD ADAPTER, 10/15K	1	516016
ASSY.	15K SAFETY SHROUD WITH WHIP HOSE ASSEMBLY	1	77516032
1	SAFETY SHROUD ASSEMBLY, 10/15K	1	77516015
2	WHIP HOSE, 1/2" NPT x 6 FEET, 15K RUBBER	1	77516025
3	SAFETY SHROUD ADAPTER, 10/15K	1	77516016
ASSY.	15K SAFETY SHROUD WITH WHIP HOSE ASSEMBLY	1	77516039
1	SAFETY SHROUD ASSEMBLY, 10/15K	1	77516015
2	WHIP HOSE, 3/8" NPT x 6 FEET 16K RUBBER	1	77515021-6
3	SAFETY SHROUD ADAPTER, 3/8" NPT, 10/15K	1	77516063

Applications/Features:

Operator safety is the first consideration when waterblasting, the Gardner Denver 10/15K Safety Shroud is designed specifically for use with hand held control guns. These safety shrouds protect the operator from dangerous hose failures occurring near the gun. One should NEVER connect an unshrouded hose directly to a waterblasting gun. ALWAYS connect a whip hose and safety shroud to the gun first, then connect the appropriate hose to the other end of the shroud/whip hose with a quick coupling. The Gardner Denver 10/15K Safety Shroud features a nitrile outer cover which is water, oil and soil resistant. The inner material consists of high strength braided stainless steel.



15K Quick Disconnect Coupling Assembly

Safety Shroud