



USDS SERIES

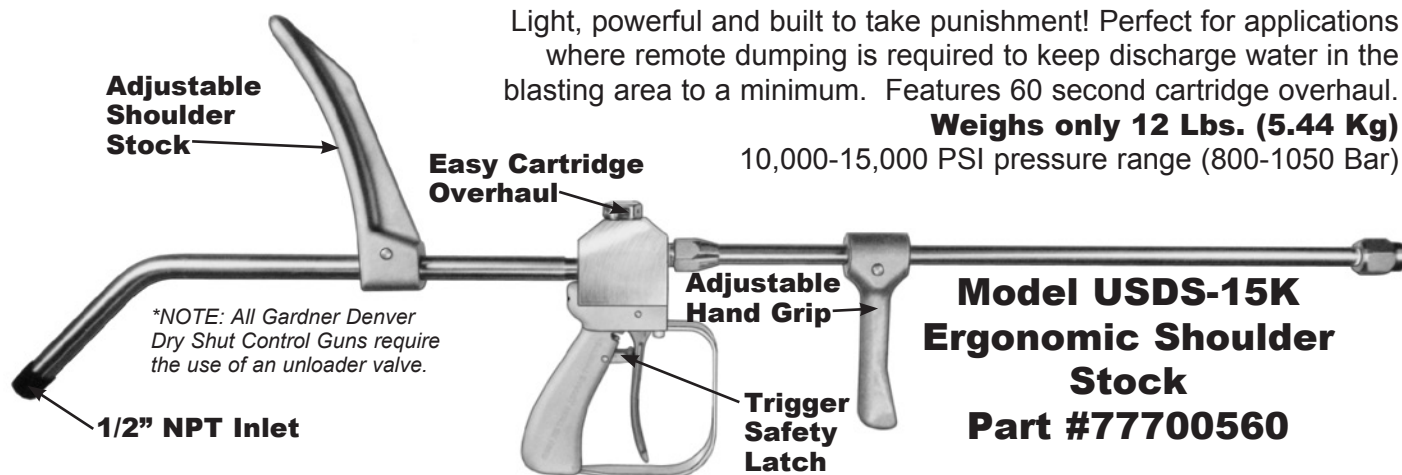
Ultra Safe Hand-Held Dry Shut Control Gun

Pressures from 10,000 - 15,000 PSI

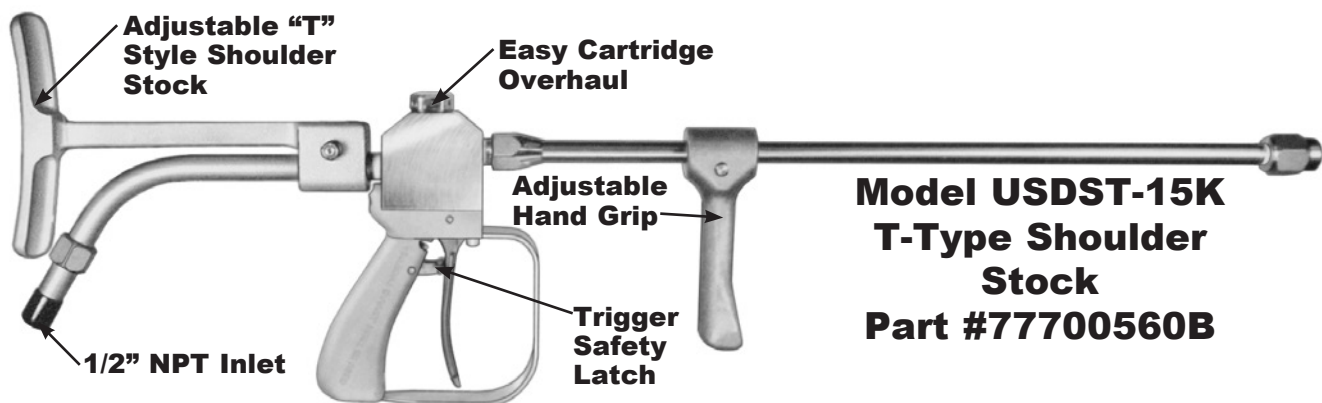
Light, powerful and built to take punishment! Perfect for applications where remote dumping is required to keep discharge water in the blasting area to a minimum. Features 60 second cartridge overhaul.

Weighs only 12 Lbs. (5.44 Kg)

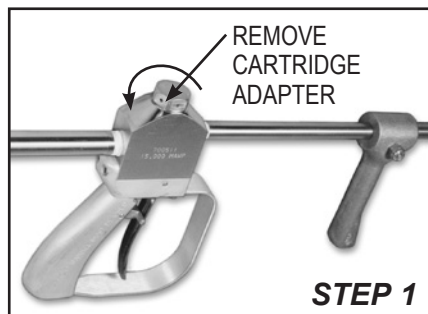
10,000-15,000 PSI pressure range (800-1050 Bar)



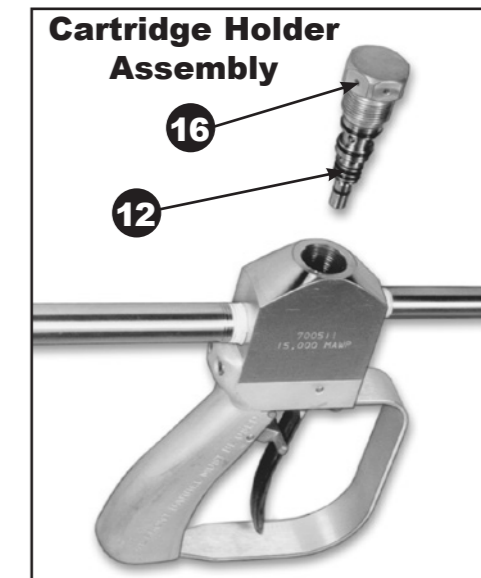
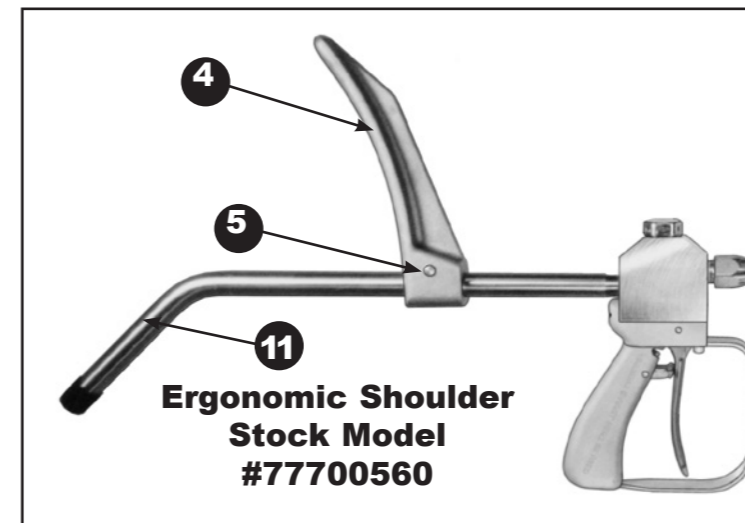
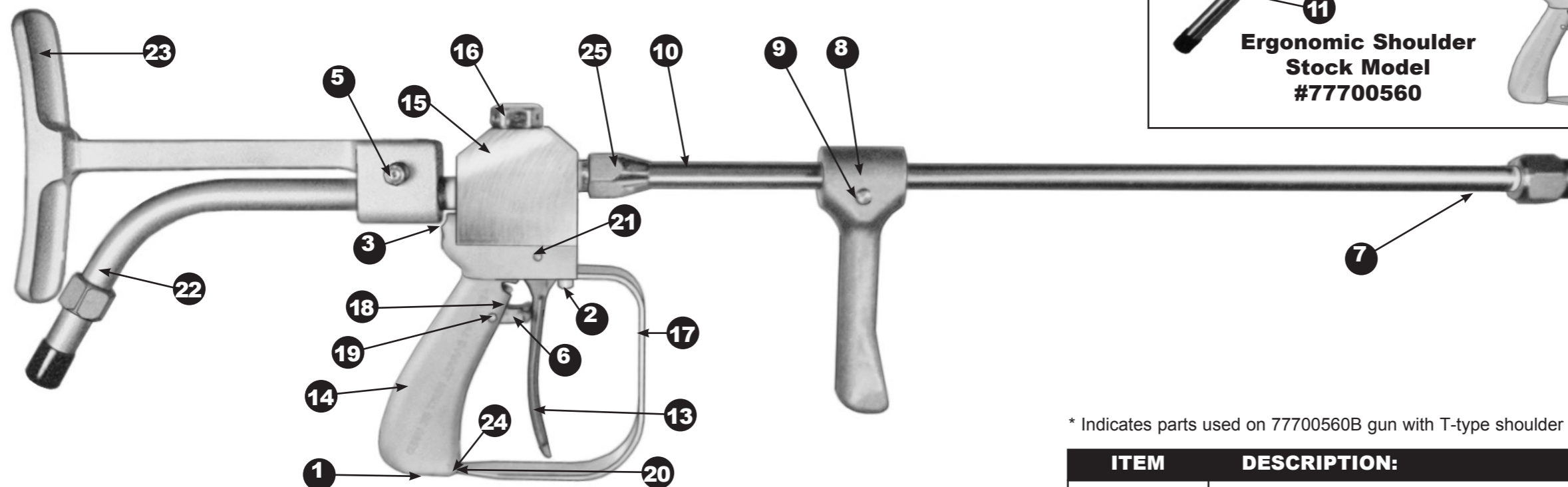
Fully adjustable shoulder stocks and hand grips standard on both models.



60 Second Cartridge Overhaul



USDS Series Control Guns



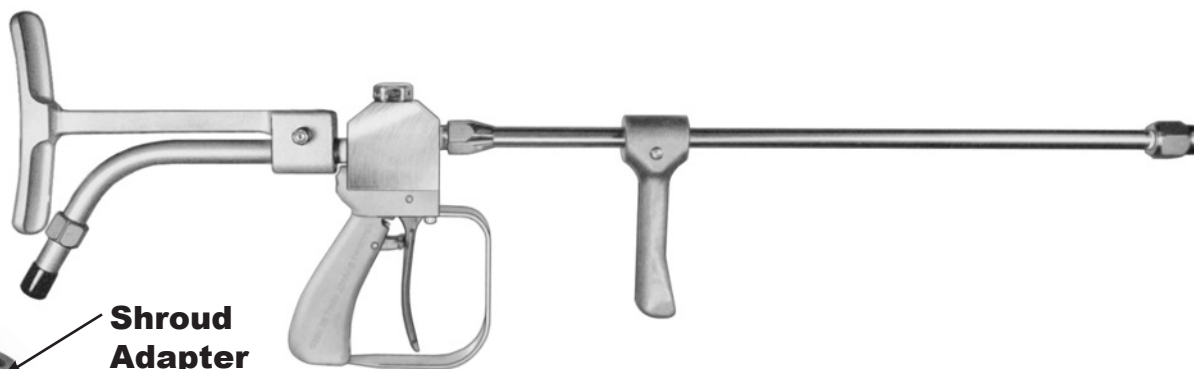
* Indicates parts used on 77700560B gun with T-type shoulder stock only.

ITEM	DESCRIPTION:	QUANTITY	PART NO.
COMPLETE	HG Series Hand Held Dry Shut Control Gun	1	77700560
COMPLETE	HG Series Hand Held Dry Shut Control Gun with T-Type Shoulder Stock	1	77700560B
1	SLOT SCREW, PAN HEAD, 1/4"-20 x 3/4" LONG	1	77408020
2	SCREW, 1/4"-20 x 1 1/4" BHCS CS	2	77700610
3	SCREW, 1/4"-20 x 1/2" SHCS	2	77513017
4	SHOULDER STOCK FRAME, 1/2"	1	77513030
5	CAM STUD ASSEMBLY, 1/2" PIPE	1	77513031
6	SAFETY LATCH, HG/HGLT	1	77700025
7	NOZZLE HOLDER, 3/8" NPTF x 1/4"	1	77700087
8	HAND GRIP FRAME, 3/8"	1	77700089
9	CAM STUD ASSEMBLY, 3/8" PIPE	1	77700090
10	NIPPLE, 3/8" NPT x 48" SS, 15K	1	77700106

ITEM	DESCRIPTION:	QUANTITY	PART NO.
11	INLET NIPPLE, 1/2" MALE NPT, 15K	1	77700145
12	DRY SHUT VALVE CARTRIDGE ASSEMBLY, 15K	1	77700500
13	TRIGGER, DRY SHUT OFF	1	77700504
14	HANDLE, DRY SHUT OFF	1	77700505
15	BLOCK, 15K DRY SHUT OFF	1	77700511
16	CARTRIDGE HOLDER, 15K DRY SHUT OFF	1	77700512
17	TRIGGER GUARD, 15/20K DRY SHUT OFF	1	77700513
18	SAFETY LATCH SPRING	1	77700517
19	PIVOT PIN	1	77700523
20	NUT, 1/4" SQUARE	1	77700528
21	TRIGGER PIVOT PIN FOR DRY SHUT OFF GUN	1	77700552
*22	INLET NIPPLE, 15K, 60° BENT	1	77700128
*23	SHOULDER STOCK, T-TYPE	1	77700602-1
24	LOCK WASHER, 1/4" SS	1	77408150-3
25	BARREL BUSHING, 1/2" NPT x 3/8" NPT, 15K	1	77700636



Safety Shrouds and Whip Hoses



Shroud Adapter

Safety Whip Hose

ITEM	DESCRIPTION:	QUAN.	PART NO.
ASSY.	10K SAFETY SHROUD WITH WHIP HOSE ASSEMBLY	1	77516018
1	SAFETY SHROUD ASSEMBLY, 10/15K	1	77516015
2	WHIP HOSE, 1/2" NPT x 6 FEET, 10K RUBBER	1	77516017
3	SAFETY SHROUD ADAPTER, 10/15K	1	77516016
ASSY.	15K SAFETY SHROUD WITH WHIP HOSE ASSEMBLY	1	77516032
1	SAFETY SHROUD ASSEMBLY, 10/15K	1	77516015
2	WHIP HOSE, 1/2" NPT x 6 FEET, 15K RUBBER	1	77516025
3	SAFETY SHROUD ADAPTER, 10/15K	1	77516016
ASSY.	15K SAFETY SHROUD WITH WHIP HOSE ASSEMBLY	1	77516039
1	SAFETY SHROUD ASSEMBLY, 10/15K	1	77516015
2	WHIP HOSE, 3/8" NPT x 6 FEET 16K RUBBER	1	77515021-6
3	SAFETY SHROUD ADAPTER, 3/8" NPT, 10/15K	1	77516063

Applications/Features:

Operator safety is the first consideration when waterblasting, the Gardner Denver 10/15K Safety Shroud is designed specifically for use with hand held control guns. These safety shrouds protect the operator from dangerous hose failures occurring near the gun. One should NEVER connect an unshrouded hose directly to a waterblasting gun. ALWAYS connect a whip hose and safety shroud to the gun first, then connect the appropriate hose to the other end of the shroud/whip hose with a quick coupling. The Gardner Denver 10/15K Safety Shroud features a nitrile outer cover which is water, oil and soil resistant. The inner material consists of high strength braided stainless steel.

Safety Shroud

GDWJS 15K Quick Disconnect Coupling Assembly