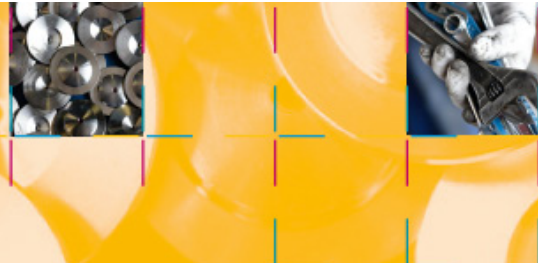




DERC SALOTECH

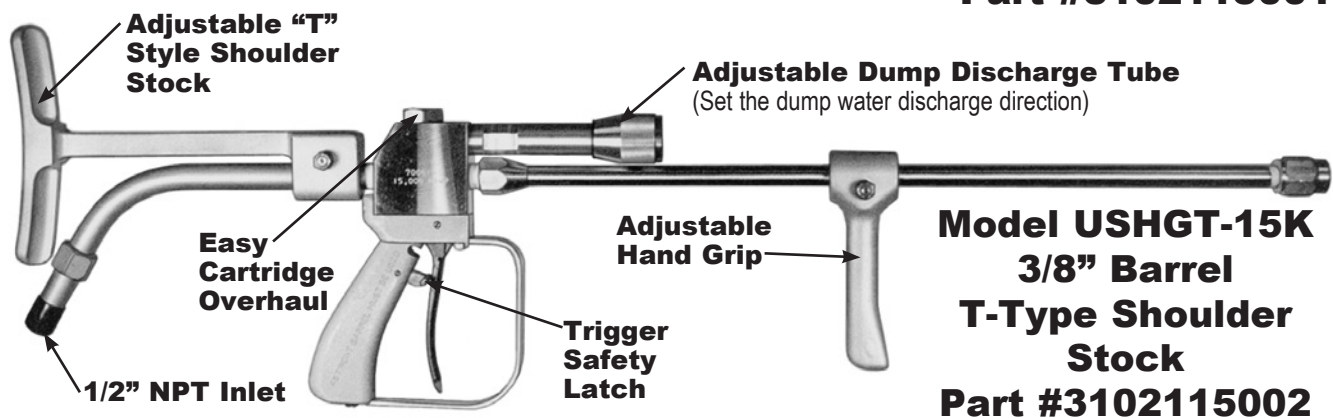


USHG SERIES

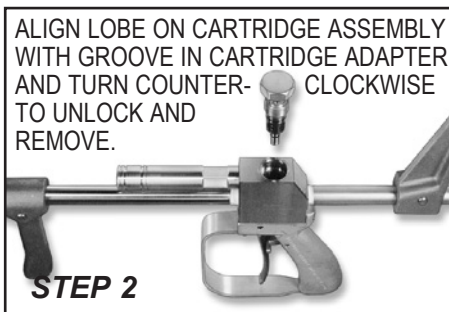
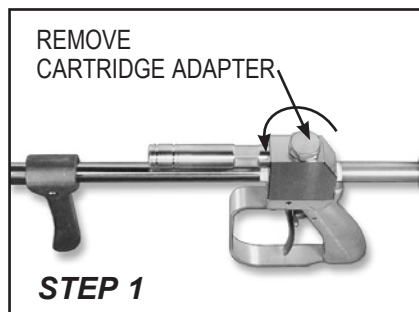
Ultra Safe Hand-Held Dump Style Control Gun Pressures from 10,000 - 15,000 PSI

Lighter and ergonomically redesigned for operator comfort and safety. Features 360° fully adjustable dump water direction (found only on Gardner Denver guns). All shoulder stocks and hand grips are adjustable. Power to handle the toughest jobs swiftly and effectively! Features 60 second cartridge overhaul.

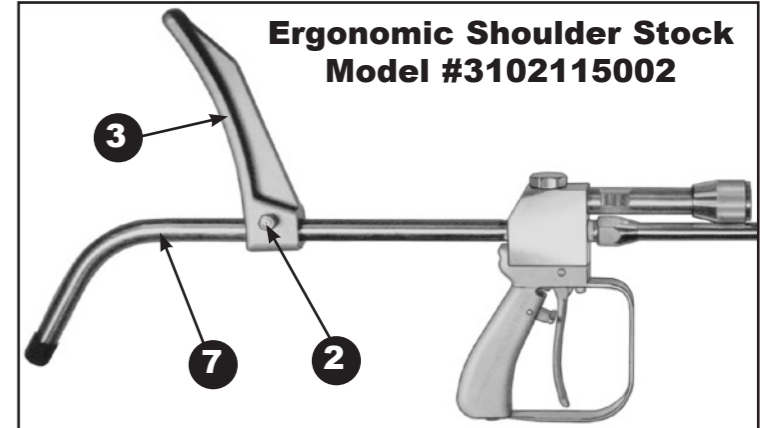
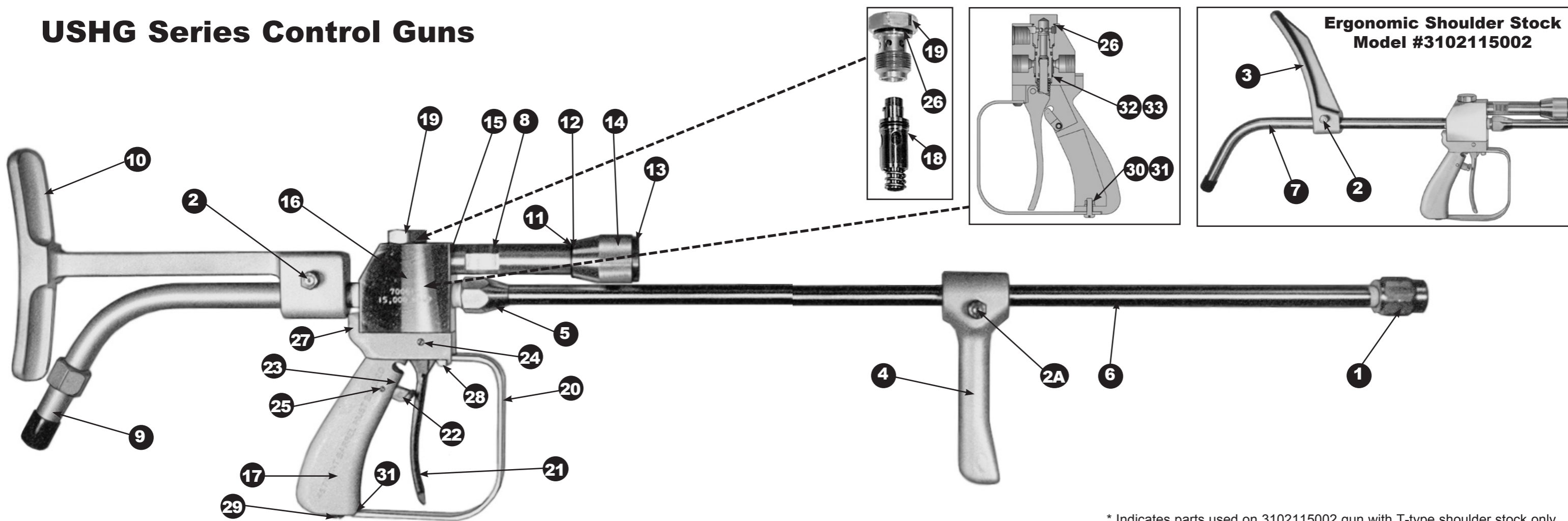
Weighs only 12.54 Lbs. (5.69 Kg) 10-15 KPSI (800-1050 Bar)



60 Second Cartridge Overhaul



USHG Series Control Guns



* Indicates parts used on 3102115002 gun with T-type shoulder stock only.

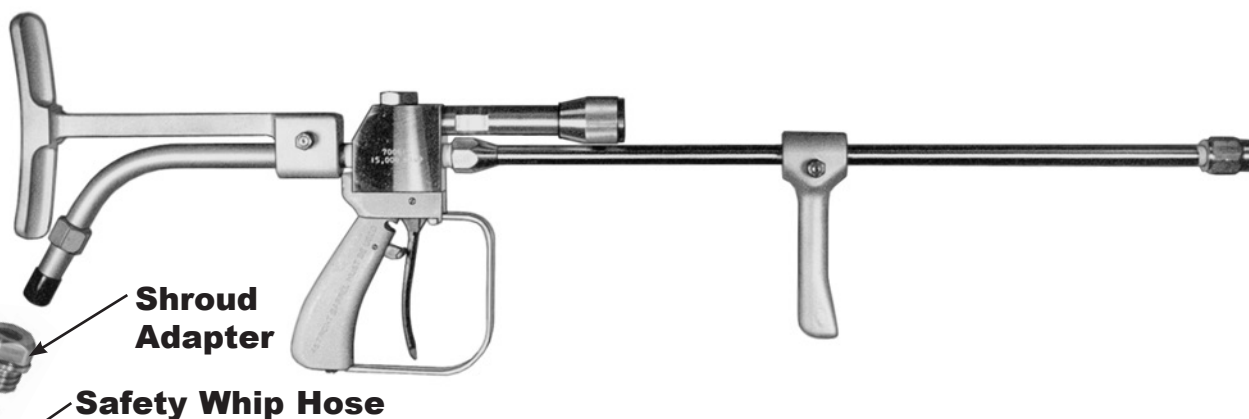
ITEM	DESCRIPTION:	QUAN.	PART NO.
COMPLETE COMPLETE	3/8" HG Series Hand Held Dump Style Control Gun	1	3102115001
	3/8" HG Series Hand Held Dump Style Control Gun with T-Type Shoulder Stock	1	3102115002
1	NOZZLE HOLDER, 3/8" FNPT x 1/4"	1	77700087
2	CAM STUD ASSEMBLY, 1/2" PIPE	1	77513031
2A	CAM STUD ASSEMBLY, 3/8" PIPE	1	77700090
3	SHOULDER STOCK FRAME, 1/2" (ERGONOMIC MODEL)	1	77513030
4	HAND GRIP FRAME, 3/8" PIPE	1	77700089
5	BARREL BUSHING, 1/2" NPT x 3/8" NPT, 15K	1	77700636
6	NIPPLE, 3/8" NPT x 48" SS, 15K	1	77700106
7	NIPPLE, INLET 1/2" MALE NPT, 15K (ERGONOMIC MODEL)	1	77700145
8	ULTRA SAFE DUMP TUBE	1	77700613
*9	NIPPLE, 45° BENT INLET, 15K	1	77700128
*10	SHOULDER STOCK, T-TYPE	1	77700602-1
11	O-RING, DUMP TUBE	2	2220016
12	RETAINING RING, BAFFLE	2	77700518
13	DUMP TUBE BAFFLE PLUG	1	77700630
14	DUMP TUBE BAFFLE FOR DUMP STYLE HAND GUN, 15K	1	77700631
15	O-RING, VALVE SEAT	1	77700539

ITEM	DESCRIPTION:	QUAN.	PART NO.
ASSY.	HANDLE ASSY., 15K DUMP GUN (SEE FOLLOWING)	1	3102115
16	BODY, 15K DUMP GUN	1	3102114
17	HANDLE, 15K/20K DUMP GUN	1	77700625
18	CARTRIDGE, VALVE ASSEMBLY, 15K DUMP GUN	1	3102111
19	ADAPTER, 15K DUMP GUN	1	77700616
20	TRIGGER GUARD, 15K/20K GUN	1	77700513
21	TRIGGER, 15K/20K GUN	1	77700617
22	SAFETY LATCH, HG/HGLT GUN	1	77700025
23	SPRING, SAFETY LATCH	1	77700517
24	TRIGGER PIVOT PIN	1	77700045
25	PIVOT PIN, SAFETY LATCH	1	77700523
26	O-RING, CARTRIDGE ADAPTER, 1", #201090 (INSIDE ASSEMBLY)	1	2220016
27	SCREW, 1/4"-20 x 1/2" SHCS	2	77513017
28	SCREW, BUTTON HEAD C/S, 1/4"-20 x 1-1/4" LONG	2	77700610
29	SCREW, 1/4"-20 x 3/4" SLOT PANHD	1	77408020
30	NUT, 1/4" SQUARE (INSIDE ASSEMBLY, NOT SHOWN)	1	77700528
31	1/4" SS LOCK WASHER (INSIDE ASSEMBLY, NOT SHOWN)	1	774081503
32	O-RING, 7/8", #201890 (INSIDE ASSEMBLY, NOT SHOWN)	1	2217046
33	BACK-UP RING VALVE SEAT 8-018 (INSIDE ASSEMBLY)	1	2217047



Safety Shrouds and Whip Hoses

Pressures from 10,000 - 15,000 PSI



ITEM	DESCRIPTION:	QUAN.	PART NO.
ASSY.	10K SAFETY SHROUD WITH WHIP HOSE ASSEMBLY	1	77516018
1	SAFETY SHROUD ASSEMBLY, 10/15K	1	77516015
2	WHIP HOSE, 1/2" NPT x 6 FEET, 10K RUBBER	1	77516017
3	SAFETY SHROUD ADAPTER, 10/15K	1	77516016
ASSY.	15K SAFETY SHROUD WITH WHIP HOSE ASSEMBLY	1	77516032
1	SAFETY SHROUD ASSEMBLY, 10/15K	1	77516015
2	WHIP HOSE, 1/2" NPT x 6 FEET, 15K RUBBER	1	77516025
3	SAFETY SHROUD ADAPTER, 10/15K	1	77516016
ASSY.	15K SAFETY SHROUD WITH WHIP HOSE ASSEMBLY	1	77516039
1	SAFETY SHROUD ASSEMBLY, 10/15K	1	77516015
2	WHIP HOSE, 3/8" NPT x 6 FEET, 16K RUBBER	1	77515021-6
3	SAFETY SHROUD ADAPTER, 3/8" NPT, 10/15K	1	77516063

Applications/Features:

Operator safety is the first consideration when waterblasting, the Gardner Denver 10/15K Safety Shroud is designed specifically for use with hand held control guns. These safety shrouds protect the operator from dangerous hose failures occurring near the gun. One should NEVER connect an unshrouded hose directly to a waterblasting gun. ALWAYS connect a whip hose and safety shroud to the gun first, then connect the appropriate hose to the other end of the shroud/whip hose with a quick coupling. The Gardner Denver 10/15K Safety Shroud features a nitrile outer cover which is water, oil and soil resistant. The inner material consists of high strength braided stainless steel.

Safety Shroud

