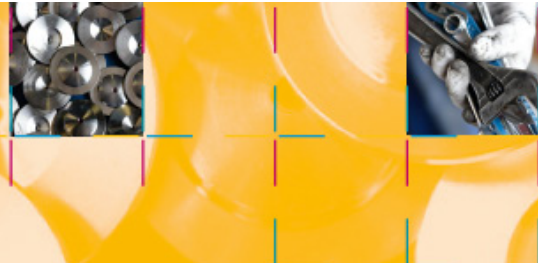




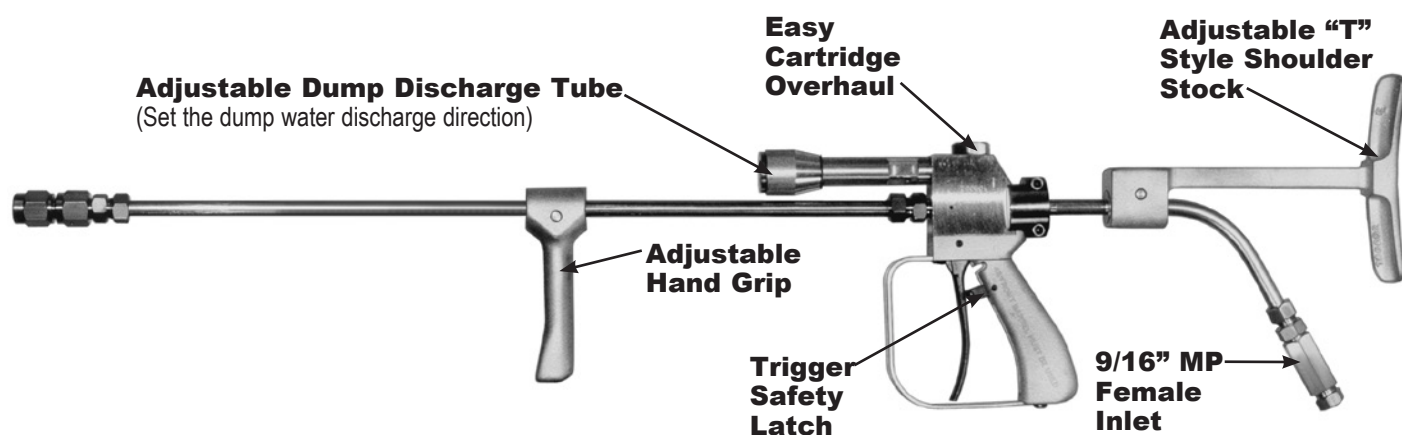
DERC SALOTECH



USHG SERIES

Ultra Safe Hand-Held Dump Style Control Gun

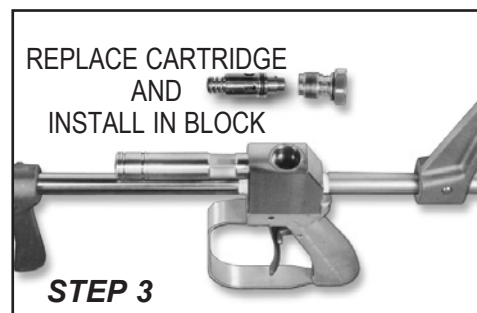
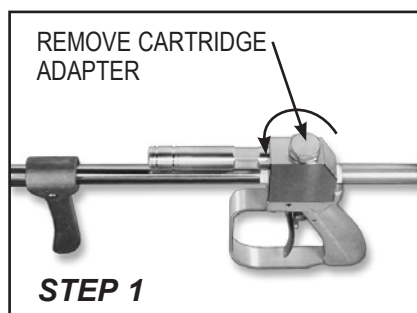
Pressures to 20,000 PSI



The new Gardner Denver USHG Series Dump Style Control Guns have been redesigned to be the best in the industry for long life, light weight, and to be more ergonomic for operator comfort and safety. Power to handle the toughest jobs swiftly and effectively!
Features 60 second cartridge overhaul.
20 KPSI (1379 Bar)

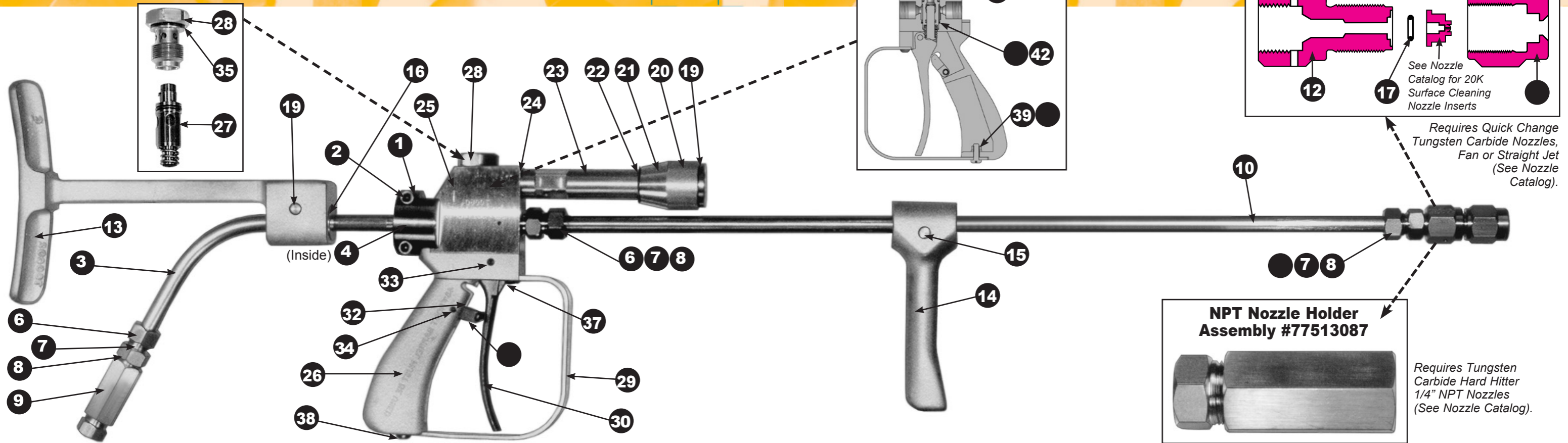
- Fully adjustable shoulder stocks and hand grips.
- Trigger safety latch assembly prevents accidental discharge from control gun.

60 Second Cartridge Overhaul



DERC SALOTECH USHG Series Control Guns

DERC SALOTECH

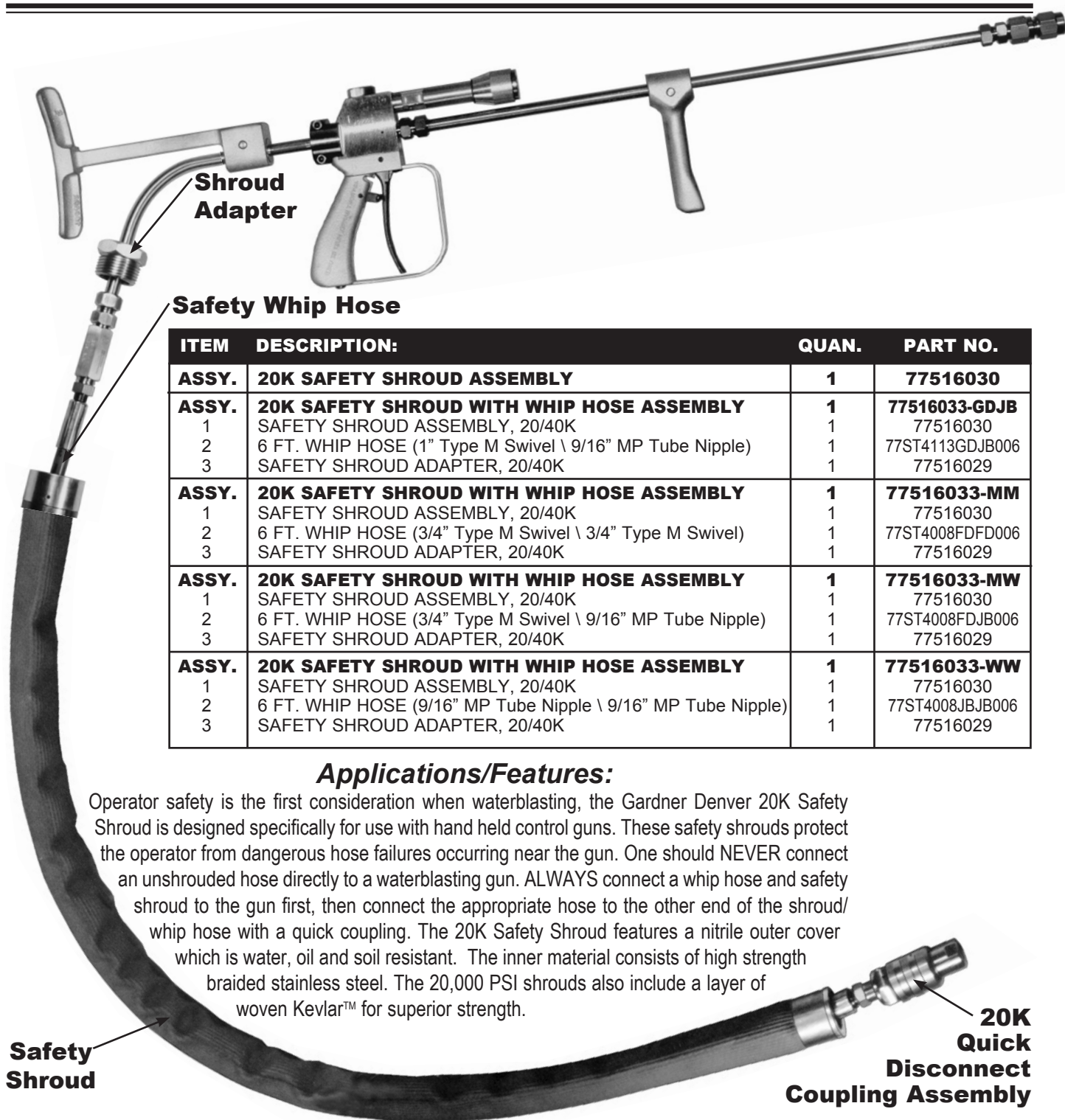


ITEM	DESCRIPTION:	QUAN.	PART NO.
ASSY.	HG Series Hand Held Dump Style Control Gun	1	3102120002
ASSY.	HG Series Hand Held Dump Style Control Gun with 1/4" NPT Nozzle Holder	1	3102120004
1	20K HAND GUN INLET TUBE STABILIZER, ALUMINUM	1	77700609A
2	5/16"-18 x1" SOCKET HEAD CAP SCREW	2	77409158
3	NEW INLET BARREL FOR 20K HAND DUMP GUN	1	77700637
4	GLAND NUT, 9/16" MP (INSIDE ASSEMBLY, NOT SHOWN)	2	77513053
5	COLLAR, 9/16" MP	5	77513054
6	ANTI-VIBE COLLET NUT, 9/16" MP	3	77513061N
7	ANTI-VIBE COLLET BODY, 9/16" MP	3	77513061B
8	ANTI-VIBE COLLET SLEEVE, 9/16" MP	3	77513061S
9	COUPLING, 9/16" MP F x 9/16" MP F	1	77513072WO
10	NIPPLE, 9/16" MP x 48" LONG SS	1	77513056
11	NOZZLE HOLDER CAP	1	77600043
12	NOZZLE HOLDER BODY	1	776000441
13	T-STYLE SHOULDER STOCK FOR 20K HGLT	1	777006022
14	HAND GRIP FRAME, 9/16" TUBE	1	77513057
15	CAM STUD ASSEMBLY, 9/16" TUBING	1	77513063
16	SHOULDER STOCK SLEEVE, 20K GUN	1	77700638
17	O-RING, 3/8", 2-010-90	1	2209212
18	CAM STUD ASSY. FOR 20K GUNS	1	77700624
19	DUMP TUBE BAFFLE PLUG	1	77700630
20	DUMP TUBE BAFFLE FOR DUMP STYLE HAND GUN, 20K	1	77700631
21	O-RING, 1", 2-010-90 (INSIDE ASSEMBLY, NOT SHOWN)	2	2220016

ITEM	DESCRIPTION:	QUAN.	PART NO.
22	RETAINING RING, BAFFLE, SS (5108-100)	2	77700518
23	ULTRA SAFE DUMP TUBE, 20K	1	77700613
24	O-RING, DUMP TUBE (NOT SHOWN)	1	77700539
ASSY.	HANDLE ASSY., 20K DUMP GUN (SEE FOLLOWING #26-#43)	1	3102120
25	BODY, 20K DUMP GUN	1	3102124
26	HANDLE, 15K/20K DUMP GUN	1	77700625
27	CARTRIDGE, VALVE ASSEMBLY, 20K DUMP GUN	1	3102121
28	ADAPTER, 20K DUMP GUN	1	77700603
29	TRIGGER GUARD, 15K/20K GUN	1	77700513
30	TRIGGER, 15K/20K GUN	1	77700617
31	SAFETY LATCH, HG/HGLT GUN	1	77700025
32	SPRING, SAFETY LATCH	1	77700517
33	TRIGGER PIVOT PIN	1	77700045
34	PIVOT PIN, SAFETY LATCH	1	77700523
35	O-RING, 1"	1	2220016
36	SCREW, 1/4"-20 x 1/2" SHCS	2	77513017
37	SCREW, BUTTON HEAD C/S, 1/4"-20 x 1-1/4" LONG	2	77700610
38	SCREW, 1/4"-20 x 3/4" SLOT PANHD	1	77408020
39	NUT, 1/4" SQUARE (INSIDE ASSEMBLY, NOT SHOWN)	1	77700528
40	1/4" SS LOCK WASHER (INSIDE ASSEMBLY, NOT SHOWN)	1	774081503
41	O-RING, 7/8", #201890 (INSIDE ASSEMBLY, NOT SHOWN)	1	2217046
42	BACK-UP RING VALVE SEAT 8-018 (INSIDE ASSEMBLY)	1	2217047



Safety Shrouds and Whip Hoses Pressures to 20,000 PSI



ITEM	DESCRIPTION:	QUAN.	PART NO.
ASSY.	20K SAFETY SHROUD ASSEMBLY	1	77516030
ASSY.	20K SAFETY SHROUD WITH WHIP HOSE ASSEMBLY	1	77516033-GDJB
1	SAFETY SHROUD ASSEMBLY, 20/40K	1	77516030
2	6 FT. WHIP HOSE (1" Type M Swivel \ 9/16" MP Tube Nipple)	1	77ST4113GDJB006
3	SAFETY SHROUD ADAPTER, 20/40K	1	77516029
ASSY.	20K SAFETY SHROUD WITH WHIP HOSE ASSEMBLY	1	77516033-MM
1	SAFETY SHROUD ASSEMBLY, 20/40K	1	77516030
2	6 FT. WHIP HOSE (3/4" Type M Swivel \ 3/4" Type M Swivel)	1	77ST4008FDJD006
3	SAFETY SHROUD ADAPTER, 20/40K	1	77516029
ASSY.	20K SAFETY SHROUD WITH WHIP HOSE ASSEMBLY	1	77516033-MW
1	SAFETY SHROUD ASSEMBLY, 20/40K	1	77516030
2	6 FT. WHIP HOSE (3/4" Type M Swivel \ 9/16" MP Tube Nipple)	1	77ST4008FDJB006
3	SAFETY SHROUD ADAPTER, 20/40K	1	77516029
ASSY.	20K SAFETY SHROUD WITH WHIP HOSE ASSEMBLY	1	77516033-WW
1	SAFETY SHROUD ASSEMBLY, 20/40K	1	77516030
2	6 FT. WHIP HOSE (9/16" MP Tube Nipple \ 9/16" MP Tube Nipple)	1	77ST4008JB006
3	SAFETY SHROUD ADAPTER, 20/40K	1	77516029

Applications/Features:

Operator safety is the first consideration when waterblasting, the Gardner Denver 20K Safety Shroud is designed specifically for use with hand held control guns. These safety shrouds protect the operator from dangerous hose failures occurring near the gun. One should NEVER connect an unshrouded hose directly to a waterblasting gun. ALWAYS connect a whip hose and safety shroud to the gun first, then connect the appropriate hose to the other end of the shroud/ whip hose with a quick coupling. The 20K Safety Shroud features a nitrile outer cover which is water, oil and soil resistant. The inner material consists of high strength braided stainless steel. The 20,000 PSI shrouds also include a layer of woven Kevlar™ for superior strength.

Safety Shroud

20K Quick Disconnect Coupling Assembly